

# HYDROPOOL SERENITY Quick Start Guide

**HYDROPOOL**  
hot tubs · swim spas  
**THE WATER IS CALLING.**



## Lets Get Started...

**NOTE: BEFORE FILLING OR USING THIS HOT TUB ENSURE YOU HAVE FOLLOWED THE HYDROPOOL INSTALLATION GUIDE.**



### 1. Equipment Inspection:

Your access panel is magnetically fastened as is the case with the WeatherSeal Cabinetry and can be removed with a swift pull from the bottom of the panel. Or if its a Dura Cabinetry its held in place by screws. First remove the screws then it can be removed with a pull from the bottom of the panel. Once the panel is removed inspect the unions and ensure they are tight (Fig.1). **DO NOT USE A WRENCH, HAND TIGHTEN ONLY.** Inspect the gate valves are in the open position and stem locks in place (Fig.1). **Never run the tub with the gate valve closed or without water circulation. Leave door off until after start up.**

### 2. Install Your Safety Hard Cover:

Carefully remove the safety cover from the packaging and position on tub. Packaged with the cover are the safety clips. (Usually affixed to the handle). Once you are satisfied with the direction the cover is opening you will need to attach the tie down clips (Fig.2). **Refer to the manual with the cover for installation instructions.**

### 3. Fill Instructions:

a) Place a standard garden hose from a clean sanitized water source into the skimmer & fill the Hot Tub (Fig. 3).  
 • Fill the Hot Tub using a garden hose through the skimmer filter's bulkhead fittings.  
 • Never fill the Hot Tub with hot water.  
 • Never fill the Hot Tub with soft water, please consult your local retailer.  
 Fill the hot tub up to 2 inches below the top skimmer opening. Once the water is at the proper height turn off the water and remove the garden hose (Fig.3).

### 4. Powering Up The Hot Tub

a) Turn on the breaker in the main panel of your house.  
 b) Turn on the breaker located near the tub (Fig.4). Your tub will automatically go through the start-up procedure and the water will start to circulate **All pumps and blowers will turn on for 4 minutes.**



### 5a. Trouble Shooting

• If your tub is circulating check the Pump / Spa Pack union's in the equipment area for any leaks (Fig.5a).  
 • If your tub trips as soon as you turn on the breaker call your electrician as the tub has been wired incorrectly - Refer to owner's manual for proper wiring instructions.

### 5b. Trouble Shooting

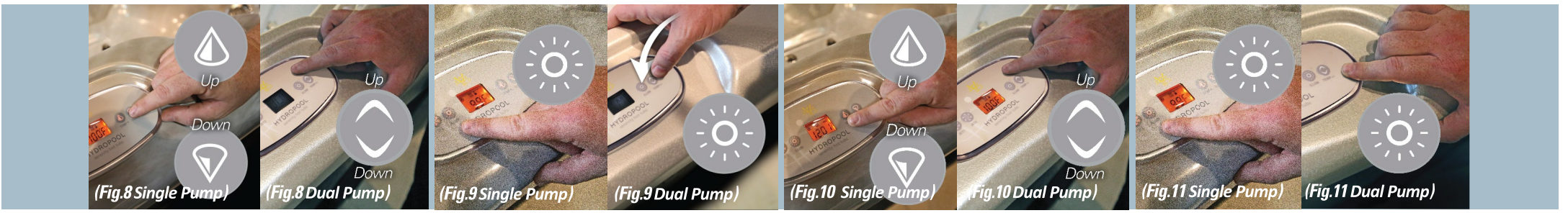
• If your water is not circulating you may have an air lock. See owner's manual. If there is no water present, re-install your equipment door (Fig.5b).

### 6. Electronic Control Operation

• **Getting Started:** Press the light key to exit the purge mode if the tub is not showing the temperature (Fig.6).

### 7. Pump Operation

• Press the pump icons to turn pump one from low to high or pump 2 icon to turn on or off (Fig.7). After pressing the buttons please make sure water is circulating through the jets. If there is no circulation, you may have an air lock. **Please refer to Owner's Manual to clear the air lock.**



### 8. Adjusting Water Temperature

• The water temperature on screen is the actual water temperature. Use the up and down arrows to set the unit to the desired temperature (Fig.8). Once set after 3 seconds without any change to the set point the current water temperature will reappear.

### 9. Illumination (Lights)

• Press the light button to turn the lights on or off. The first push will turn the lights on and start the colour sequence rotation (Fig.9). Press the light button and scroll through the colour selection by repeatedly pressing the light button until you have reached your preferred colour. It will automatically stay on that colour from this point forward.

### 10) Setting Clock Time

• Enter the program menu by holding down the Light Key for 5 seconds. The display will show the current clock setting with the hour flashing. Use the arrow keys to adjust the hour (Fig.10). Press the Light Key to adjust the minutes. Press the Light key to jump to the next parameter or to the end of the parameters to save the time.

### 11. Programming Other Features

• The program menu is accessible by holding down the Light Key for 5 seconds (Fig.10). The following parameters can be set: clock, filter or purge cycles, economy mode and temperature units. While in the program menu, use the Up and Down keys to adjust the parameters and the Light key to jump to the next parameter. The changes will be saved after the confirmation of the last parameter only. **Refer to the Owner's Manual to make changes from the factory setting.**

## Your Hot Tubs Water Chemistry...

### 12. Adjust the Water Chemistry

By now you should have brought a water sample into your local retailer and they have given you instructions on how to adjust your water chemistry. See your owner's manual or follow your authorized Hydropool dealer's instructions, to test and adjust the water chemistry. **Caution – Untreated water can be hazardous to your health and can cause damage to your Hot Tub equipment.** Before filling or using this hot tub ensure you have followed the Hydropool installation guide. **Congratulations –** within a few hours you will be enjoying the relaxing therapeutic benefits of your new Hydropool Serenity Hot Tub. Enjoy!

**NOTE: Poor water maintenance will cause: rust, cushions and cover to deteriorate, leaks, faulty heater elements, pump seal failures and jets to stop working.**

### 13. Importance of Keeping Your Hot Tub Water Balanced and Sanitized.

Please remember: the temperature of the spa water is most often set at 99°F / 37°C which means that there's huge opportunity for bacteria growth in a hot tub. It can also cause cloudy water, generate excess foaming and damage the spa surface as well as the equipment (pump seal, covers, cushions, create rust).

#### MAINTAIN CLEAN WATER – HOW TO PROCEED:

**1) Filtration:** The filtration cycle is pre-set at the factory and runs for 2 hours, four times a day, for a total of 8 hours per 24 hour period. Remember to clean your filter on a weekly basis.

**2) pH:** If your pH is unbalanced you will have a low disinfection efficiency and also risk to damaging the equipment. The ideal pH range for spas is 7.2 to 7.6. To keep between these parameters, you will need to use a test kit.

#### 3) Sanitizers

Sanitizers are used to effectively disinfect and keep water smelling fresh. The two most popular ones are chlorine and bromine. You can test these by using a test kit, follow the procedures written on the bottles to place the proper dosage

3.0 - 5.0 PPM for Bromine. We suggest a shock sanitization on the first fill or water change. This operation can be repeated up to once a month or more regularly with a Shock chemical.

**GENERAL INSTRUCTIONS:** please check the volume of your hot tub or swim spa before you dose the chemicals products. All the instructions regarding the amount of chemicals to place in your pool are specified on each bottle (PH, Sanitizer, Test kits etc.). Especially at the beginning of your chemical water care learning, we suggest you place the chemicals in separate bucket in which you have extracted water from your hot tub in order to prevent any chemical surcharge.

### 14. Next Level... SANITIZERS

**Chlorine:** Chlorine is a very effective sanitizer; it has been used in pools and spas for many years but is not popular because of its harshness, strong odor and is less stable in hot water. If this is the sanitizer that you have chosen you will find it available in granular and tablet forms. The Chlorine levels to maintain a bacteria free tub is 1-3 ppm. A test kit or test strips are required to help achieve this balance. This choice is the most popular and convenient because it is very aggressive and works very quickly.

**Bromine:** Bromine is very effective and does not have a "strong odor" that chlorine typically has. It is available in granular and tablet form. To maintain a bacteria free tub the correct levels for bromine is 3.0 - 5.0 PPM. Bromine is a slower reacting sanitizer which means closer monitoring of the levels is required, this is done by using a test kit or test strips.

**Scale:** We suggest you use a Scale Inhibitor regularly to ensure no damage or scaling of equipment and tub surface.

**Total Alkalinity (TA):** If the water does not have enough Alkalinity, the water will draw from other minerals. This will result in equipment corrosion. Use TA<sup>+</sup> to increase Alkalinity level (pH down will reduce it) – Check Alkalinity level once a week. Total alkalinity readings should stay inside the acceptable range. Be careful, pH lowering chemicals will lower the total alkalinity as well. Again, to help achieve these readings you will need a test kit or test strips.

**Please Note:** Consult your local retailer for best practices on water chemistry. Also when adding chemicals your hot tub cover should be off and the hot tub jets running.

## NEVER LEAN OR STAND ON YOUR HARDCOVER.

**NOTE: ALWAYS ENSURE THE SAFETY HARDCOVER IS IN PLACE AND LOCKED WHENEVER THE HOT TUB IS NOT BEING USED. FAILURE TO DO SO MAY CAUSE DAMAGE OR CRACKING OF THE ACRYLIC SURFACE NOT COVERED UNDER THE WARRANTY.**

**For instructions on draining your hot tub please refer to your Serenity Hot Tub Owner's Manual.**

## IMPORTANT SAVE THESE INSTRUCTIONS

Your physiological response to hot water is subjective and depends on your age, health, and medical history. If you don't know your tolerance to hot water, or if you get a headache, or become dizzy or nauseous when using your hot tub, get out and cool off immediately.

**TO ACCESS YOUR HYDROPOOL HOT TUB OWNER'S MANUALS JUST SCAN THIS QR CODE**



**HYDROPOOL**  
hot tubs · swim spas  
**THE WATER IS CALLING.**



## WARNING

1. CHILDREN SHOULD NOT USE SPAS OR HOT TUBS WITHOUT ADULT SUPERVISION.
2. DO NOT USE SPAS OR HOT TUBS UNLESS ALL SUCTION GUARDS ARE INSTALLED TO PREVENT BODY AND HAIR ENTRAPMENT.
3. PEOPLE USING MEDICATIONS AND/OR HAVING ANY ADVERSE MEDICAL HISTORY SHOULD CONSULT A PHYSICIAN BEFORE USING A SPA OR HOT TUB.
4. PEOPLE WITH INFECTIOUS DISEASES SHOULD NOT USE A SPA OR HOT TUB.
5. TO AVOID INJURY, EXERCISE CARE WHEN ENTERING OR EXITING THE SPA OR HOT TUB.
6. DO NOT USE DRUGS OR ALCOHOL BEFORE OR DURING THE USE OF A SPA OR HOT TUB, TO AVOID UNCONSCIOUSNESS AND POSSIBLE DROWNING.
7. PREGNANT OR POSSIBLE PREGNANT WOMEN SHOULD CONSULT A PHYSICIAN BEFORE USING A SPA OR HOT TUB.
8. WATER TEMPERATURE IN EXCESS OF 38°C (100°F) MAY BE INJURIOUS TO YOUR HEALTH.
9. BEFORE ENTERING THE SPA OR HOT TUB, MEASURE THE WATER TEMPERATURE WITH AN ACCURATE THERMOMETER.
10. DO NOT USE A SPA OR A HOT TUB IMMEDIATELY FOLLOWING STRENUOUS EXERCISE.
11. PROLONGED IMMERSION IN A SPA OR HOT TUB MAY BE INJURIOUS TO YOUR HEALTH.
12. DO NOT PERMIT OR USE ELECTRIC APPLIANCES (SUCH AS LIGHT, TELEPHONE, RADIO OR TELEVISION) WITHIN 1.5M (5FT) OF THIS SPA OR HOT TUB.
13. CHILDREN SHOULD NOT ENTER A HOT TUB WHERE THE WATER TEMPERATURE EXCEEDS BODY TEMPERATURE (37° C / 98.6°F).
14. DO NOT ALLOW CHILDREN TO SUBMERGE THEIR HEAD UNDER WATER.

15. NEVER OPERATE THE HOT TUB PUMP AT HIGH SPEED WITHOUT HAVING ALL SUCTION AND RETURN LINES OPEN.
16. ALWAYS KEEP THE HARDCOVER INSTALLED AND LOCKED WHEN THE HOT TUB IS NOT IN USE.
17. TEST THE GFCI (GROUND FAULT CIRCUIT INTERRUPTER) MONTHLY.
18. POST EMERGENCY PHONE NUMBERS FOR POLICE, FIRE DEPARTMENT, AND AMBULANCE AT THE NEAREST PHONE.
19. TO REDUCE THE RISK OF INJURY
  - THE WATER IN A SPA SHOULD NEVER EXCEED 40°C (104°F). WATER TEMPERATURES BETWEEN 38°C (100°F) AND 40°C (104°F) ARE CONSIDERED SAFE FOR A HEALTHY ADULT. LOWER WATER TEMPERATURES ARE RECOMMENDED FOR YOUNG CHILDREN AND WHEN SPA USE EXCEEDS 10 MINUTES.
  - SINCE EXCESSIVE WATER TEMPERATURES HAVE A HIGH POTENTIAL FOR CAUSING FETAL DAMAGE DURING THE EARLY MONTHS OF PREGNANCY, PREGNANT OR POSSIBLY PREGNANT WOMEN SHOULD LIMIT SPA WATER TEMPERATURES TO 38°C (100°F).
  - BEFORE ENTERING A SPA, THE USER SHALL MEASURE THE WATER TEMPERATURE SINCE THE TOLERANCE FOR WATER TEMPERATURE REGULATING DEVICES VARIES.
  - THE USE OF ALCOHOL, DRUGS, OR MEDICATION BEFORE OR DURING SPA USE MAY LEAD TO UNCONSCIOUSNESS, WITH THE POSSIBILITY OF DROWNING.
  - OBESE PERSONS AND PERSONS WITH A HISTORY OF HEART DISEASE, LOW OR HIGH BLOOD PRESSURE, CIRCULATORY SYSTEM PROBLEMS OR DIABETES SHOULD CONSULT A PHYSICIAN BEFORE USING A SPA.
  - PERSONS USING MEDICATION SHOULD CONSULT A PHYSICIAN BEFORE USING A SPA SINCE SOME MEDICATION MAY INDUCE DROWSINESS WHILE OTHER MEDICATION MAY EFFECT HEART RATE, BLOOD PRESSURE AND CIRCULATION.



## CAUTION

1. MAINTAIN WATER CHEMISTRY IN ACCORDANCE WITH THE MANUFACTURER'S INSTRUCTIONS.



## DANGER

1. RISK OF ACCIDENTAL DROWNING. EXTREME CAUTION MUST BE EXERCISED TO PREVENT UNAUTHORIZED ACCESS BY CHILDREN. TO AVOID ACCIDENTS, ENSURE THAT CHILDREN CAN'T USE THE SPA UNLESS THEY ARE SUPERVISED AT ALL TIMES.
2. RISK OF INJURY. THE SUCTION FITTINGS IN THIS SPA ARE SIZED TO MATCH THE SPECIFIC WATER FLOW CREATED BY THE PUMP. SHOULD THE NEED ARISE TO REPLACE THE SUCTION FITTINGS OR THE PUMP, BE SURE THAT THE FLOW RATES ARE COMPATIBLE. NEVER OPERATE THE SPA IF THE SUCTION FITTINGS ARE BROKEN OR MISSING. NEVER REPLACE A SUCTION FITTING WITH ONE RATED LESS THAN THE FLOW RATE MARKED ON THE ORIGINAL SUCTION FITTING.
3. RISK OF ELECTRIC SHOCK. INSTALL AT LEAST 1.5M (5FT) FROM ALL METAL SURFACES. AS AN ALTERNATIVE, A SPA MAY BE INSTALLED WITHIN 1.5M (5FT) OF METAL SURFACES IF EACH METAL SURFACE IS PERMANENTLY CONNECTED BY A MINIMUM 8 AWG (8.4 mm<sup>2</sup>) SOLID COPPER CONDUCTOR TO THE WIRE CONNECTOR ON THE TERMINAL BOX THAT IS PROVIDED FOR THIS PURPOSE.
4. RISK OF ELECTRIC SHOCK. DO NOT PERMIT ANY APPLIANCE, SUCH AS A LIGHT, TELEPHONE, RADIO, OR TELEVISION, WITHIN 1.5M (5FT) OF THE SPA.

### HYPERTHERMIA

Since your hot tub can be set to reach temperatures of 40°C (104° F), users should be aware that extended submersion in water that exceeds normal body temperature can lead to hyperthermia. The causes, symptoms and effects of hyperthermia may be de-scribed as follows: Hyperthermia occurs when the internal temperature of the body reaches several degrees above the normal body temperature of 37°C (98.6°F). The symptoms of hyperthermia include drowsiness, lethargy, and an increase in the internal temperature of the body.

#### The effects of hyperthermia include:

- Unawareness of impending hazard
  - Failure to perceive heat
  - Failure to recognize the need to exit the hot tub
  - Unconsciousness resulting in the danger of drowning
  - Physical inability to exit the hot tub
  - Fetal damage in pregnant woman
- If you sense any of the symptoms of hyperthermia, safely exit the hot tub immediately.

### IMPORTANT SAVE THESE INSTRUCTIONS

Your physiological response to hot water is subjective and depends on your age, health, and medical history. If you don't know your tolerance to hot water, or if you get a headache, or become dizzy or nauseous when using your hot tub, get out and cool off immediately.



## WARNING

THE USE OF ALCOHOL, DRUGS OR MEDICATION CAN SIGNIFICANTLY INCREASE THE RISK OF FATAL HYPERTHERMIA.

### IMPORTANT ELECTRICAL SAFETY INSTRUCTIONS

SAFETY COMES FIRST. WHEN INSTALLING & USING THIS ELECTRICAL EQUIPMENT, BASIC SAFETY PRECAUTIONS MUST ALWAYS BE FOLLOWED!

1. READ AND FOLLOW ALL INSTRUCTIONS
2. Electrical installation must be completed by a qualified electrician in accordance with all National, Regional and Local Codes and Regulations in effect at the time of installation.
3. Connect only to a dedicated circuit protected by a class 'A' two-pole ground fault circuit interrupter (GFCI).
4. Use copper conductors only!
5. The hot tub equipment and all electrical plugs, outlets and lights within 1.5m (5ft) of the unit must be G.F.C.I protected. Consult your electrician or local electrical authority for further details.
6. A green colored terminal or a terminal marked "G", "GR", "Ground", or "Grounding" is located inside the supply terminal box or compartment. To reduce the risk of electric shock, this terminal must be connected to the grounding means provided in the electric supply service panel with a continuous copper wire equivalent in size to the circuit conductors supplying the equipment.
7. At least two lugs marked "BONDING LUGS" are provided on the external surface or on the inside of the supply terminal box or compartment. To reduce the risk of electric shock, connect the local common bonding grid in the area of the hot tub to these terminals with an insulated or bare copper conductor not smaller than No.6 AWG (Canada/Europe) / No.8 AWG (USA).
8. All field installed metal components such as rails, ladders, drains or other similar hardware within 3 m (10 ft) of the hot tub shall be bonded to the equipment grounding bus with copper conductors not smaller than No.6 AWG.

#### IMPORTANT NOTE:

- This guide is for standard installations where the wire run is 15 m (50 ft.) or less. For longer wire runs, consult a qualified electrician.

### G.F.C.I./R.C.D. APPLICATION GUIDE FOR HYDROPOOL SERENITY SERIES:

#### NORTH AMERICA

Special Edition 15A  
Single Pump 40A  
Dual Pump 50A

#### EUROPE

All Models 20A

### WIRE SIZE NORTH AMERICA

- The minimum wire size for systems that require a 40A GFCI is # 8/3 c/w ground (also referred to as # 8 gauge / 4 conductor).
- The minimum wire size for systems that require a 50A GFCI is # 8/3 c/w ground (also referred to as # 8 gauge / 4 conductor).

### EUROPE

Standards for amperage breakers may vary from country to country in the CE controlled area. Please consult your local installer for advice on breaker level and wire specifications. Some examples are below:

- Breaker of 13A – wire must be 1.5 mm<sup>2</sup>
- Breaker of 16A – wire must be 2.5 mm<sup>2</sup>
- Breaker of 20A – wire must be 4.0 mm<sup>2</sup>
- Breaker of 32A – wire must be 6.0 mm<sup>2</sup>

**NOTE:** Please consult your applicable electrical codes related to the size of conductors as they may vary from what is stated above. Take into consideration the length of cable as well and increase as required.

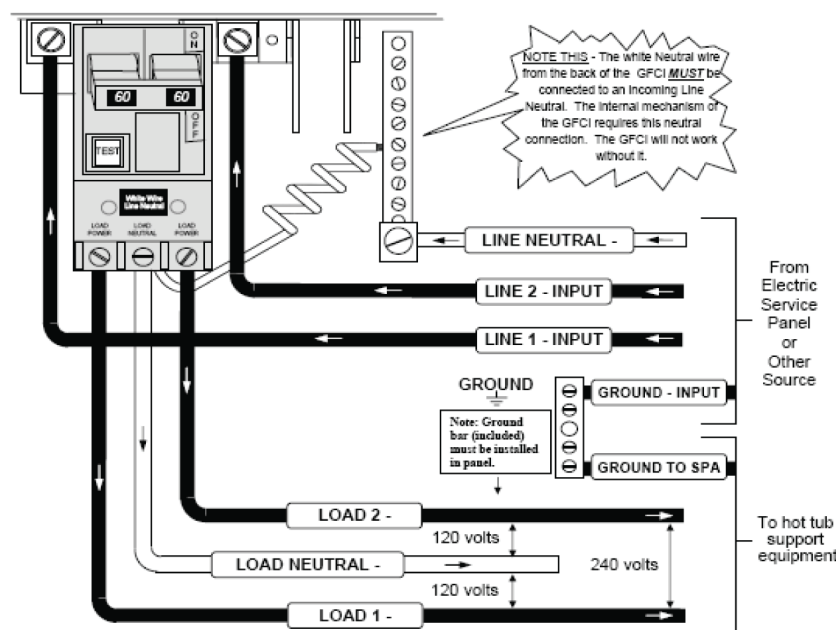
## NORTH AMERICAN – GFCI INSTALLATION



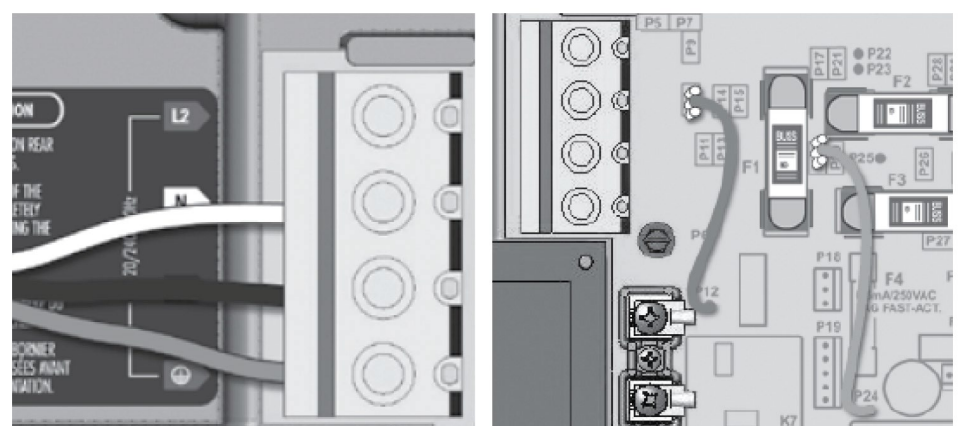
## NOTICE

Installation of the GFCI - Circuit Breaker, including ampere sizing and selection of conductor size and type, must be performed by a qualified electrician in accordance with the National Electrical Code, or the Canadian Electrical Code, and all Federal, State/Provincial and local codes and regulations in effect at the time of installation. Hydropool highly recommends the use of a new Siemens GFCI breaker for all of its products. Other GFCI's and older Siemens GFCI's may have tripping issues.

### SIEMENS - 240 VOLT TYPICAL



### LEVITON - 120 VOLT TYPICAL



**Note:** To convert model to a 120 V system, the white (common) accessory wire must be moved. See wiring diagram for details.

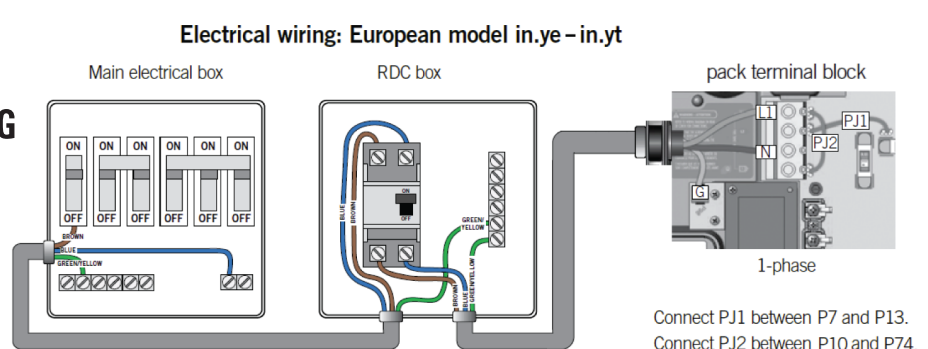
## EUROPE – R.C.D. INSTALLATION - TYPICAL



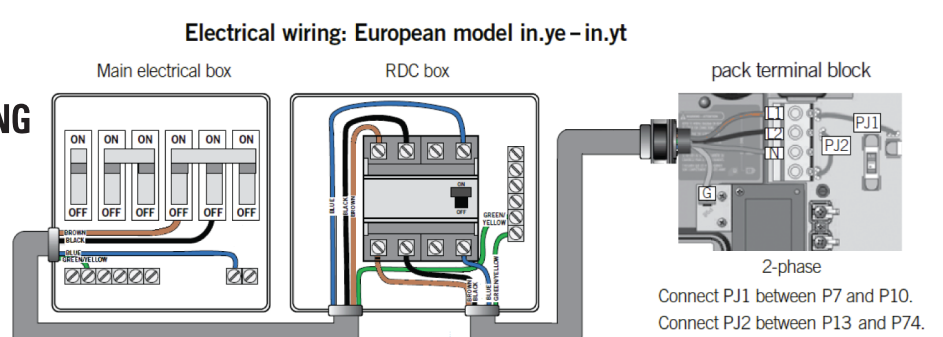
## NOTICE

**Important Note:** Installation of the R.C.D. - Circuit Breaker, including ampere sizing and selection of conductor size and type, must be performed by a qualified electrician in accordance with National, Regional and Local Codes and Regulations in effect at the time of installation.

### 230 VOLT 50 Hz SINGLE PHASE RCD WIRING



### 230 VOLT 50 Hz DUAL PHASE RCD WIRING



### 230 VOLT 50 Hz THREE PHASE RCD WIRING

